



ARISTAIPC

ARP-3600AP Series

Datasheet Collection

www.aristaipc.com

Contents



Industrial Panel PCs

Panel Mount Panel PCs

ARP-3610AP Series	03
ARP-3615AP Series	05
ARP-3617AP Series	08
ARP-3619AP Series	11
ARP-3621AP Series	14
ARP-3624AP Series	17



ARP-3610AP Series

Panel Mount Panel PC with 10.4" 5-Wire Resistive Touch



Features

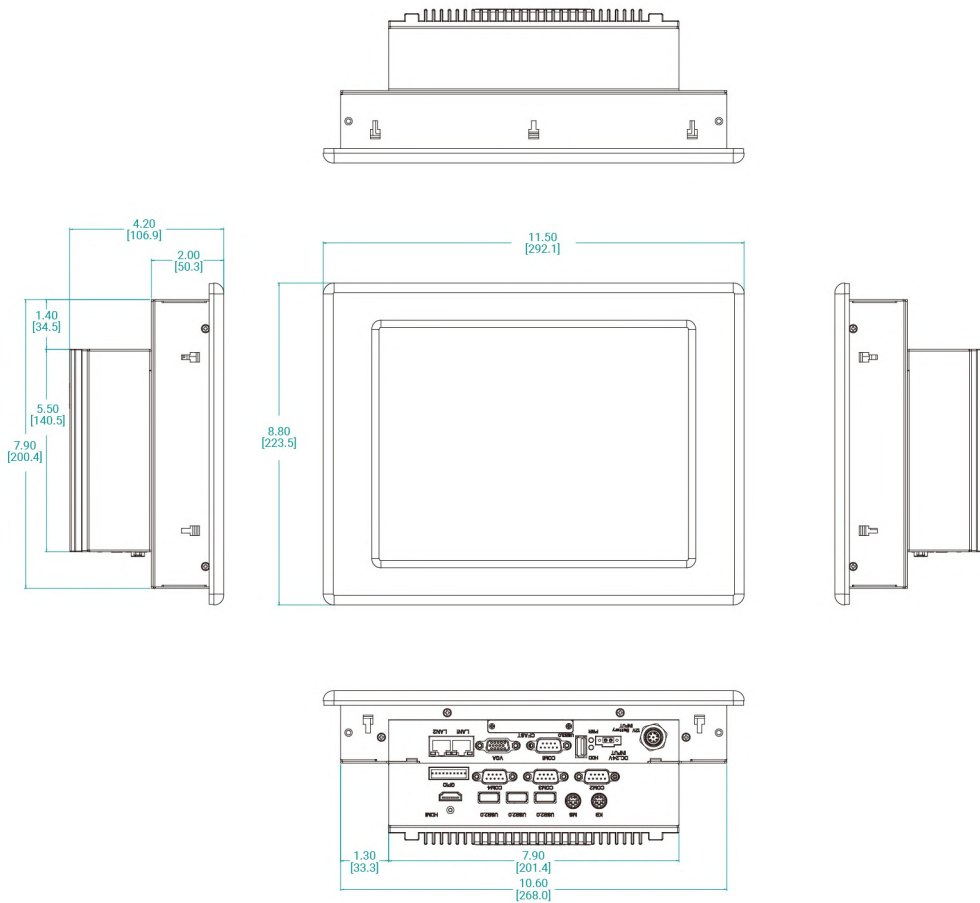
- 10.4" LCD, 1280 x 800 Resolution
- 5-Wire Resistive Touch
- Aluminum or Stainless-Steel Bezel
- Intel E3845 ATOM CPU
- Up to 8GB DDR3 SO-DIMM
- Optional 2.5" SSD
- Dual Gigabit Ethernet
- 4 x RS-232/422/485 BIOS Selectable
- 1 x 8-bit GPIO (4-bit Input, 4-bit Output)
- 1 x USB 3.0, 3 x USB 2.0 ports

Specifications

Model Name	ARP-3610AP-E01
LCD Display	
Display Size (Diagonal)	10.4 inch
Resolution	800 x 600
Backlight Lifetime (Hours)	50,000 hours
Visual Characteristics	
Colors	16.2 million
Aspect Ratio	4:3
Viewing Angle (V/H)	140° / 170°
Contrast Ratio	700 : 1
Brightness	400 nits (Typical)
Touchscreen	
Technology	5 Wire Resistive
Interface	USB
Driver	Windows 7, 8 & 10
Front Bezel	
NEMA 4	Black Powder Coated Aluminum
NEMA 4x	Stainless Steel (Optional)
System	
CPU	Intel E3845 1.91GHz Quad Core ATOM CPU
Chipset	Bay Trail
Memory	Up to 8GB DDR3 SO-DIMM
Video Controller	Intel Gen7 Intel Graphics DX 11, OGL3.2
External Video Output	VGA, HDMI
Storage Option	2.5" SSD,
CFast Card	Optional
Keyboard / Mouse	USB / PS2
Audio	N/A
Watchdog Timer	Programmable 1 - 255 sec
Remote Boot	ThinManager Ready, PXE
Expansion Slot	Mini PCIe x 2
I/O Communication	
USB Port	1 x USB 3.0, 3 x USB 2.0
Serial Port	4 x RS-232/422/485 BIOS Selectable
IEEE 1394	N/A
LAN	2 x Gigabit
Parallel	N/A
GPIO	4 x DI, 4 x DO
Smart Battery	
External Smart Battery	Optional
OS Support	
OS Support	Windows 7, 8 & 10
Power/Thermal Specs	
Power Requirement (Max)	24VDC / 0.75A
Power Consumption (Max)	18 W
Recommended Power Supply	26 W
Heat Dissipation	62 BTU/hr
Physical Information	
Mounting	Panel Mount
Net Weight	8 Lbs / 3.63 Kg
Dimension (W x H x D)	11.50 x 8.80 x 4.20 inch 292.1 x 223.5 x 106.9 mm
Recommended Cutout Dimension (WxH)	10.80 x 8.10 inch 273.0 x 205.4 mm
Environmental	
Operating Temperature	0~50°C (32~122°F)
Storage Temperature	-20~60°C (-4~140°F)
Relative Humidity	0~95%
IP/NEMA Rating	Bezel meets NEMA 4/4X requirement
Certification	UL 61010

Dimension Drawing

Model Name: ARP-3610AP-E01
Size Unit: inch(mm)



Ordering Information

Item	ARP-3610AP-E01-003	ARP-3610AP-E01-007
LCD Display	10.4" LCD / 800 x 600	10.4" LCD / 800 x 600
Touch Screen	5-Wire Resistive Touch	5-Wire Resistive Touch
Bezel	Black Powder Coated Aluminum	Stainless Steel
CPU	E3845 ATOM CPU	E3845 ATOM CPU
Memory	4GB DDR3	4GB DDR3
Storage	N/A	N/A
Remote Boot	ThinManager Ready	ThinManager Ready
Power Supply	110/220VAC Input DIN-Rail	110/220VAC Input DIN-Rail

Item	ARP-3610AP-E01-031	ARP-3610AP-E01-035
LCD Display	10.4" LCD / 800 x 600	10.4" LCD / 800 x 600
Touch Screen	5-Wire Resistive Touch	5-Wire Resistive Touch
Bezel	Black Powder Coated Aluminum	Stainless Steel
CPU	E3845 ATOM CPU	E3845 ATOM CPU
Memory	8GB DDR3	8GB DDR3
Storage	2.5" SATA SSD	2.5" SATA SSD
Remote Boot	N/A	N/A
Power Supply	110/220VAC Input DIN-Rail	110/220VAC Input DIN-Rail



ARP-3615AP Series

Panel Mount Thin Client Panel PC with 15 inch 5-Wire Resistive Touch

Features

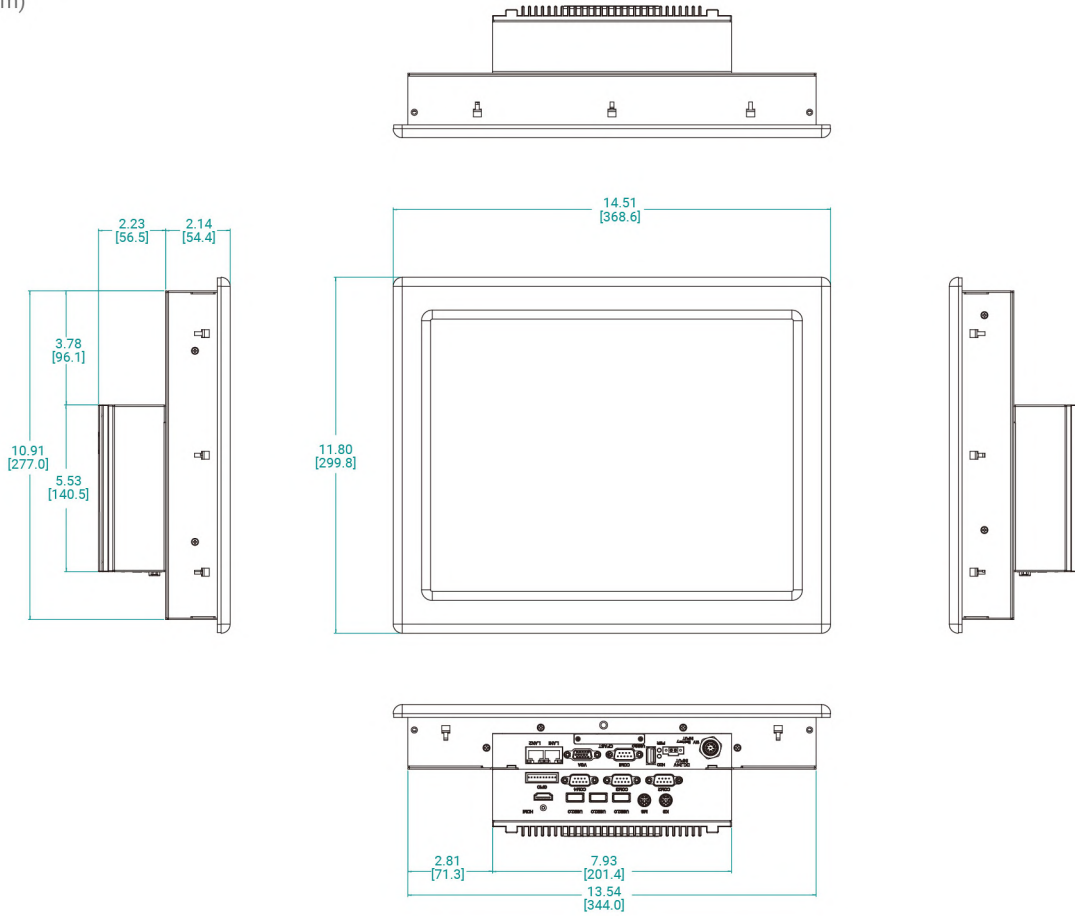
- 15" LCD, 1024 x 768 Resolution
- 5-Wire Resistive Touch
- Aluminum or Stainless-Steel Bezel
- Intel E3845 ATOM CPU
- 4GB DDR3 SO-DIMM
- Dual Gigabit Ethernet
- 4 x RS-232/422/485 BIOS Selectable
- 1 x USB 3.0, 3 x USB 2.0 ports

Specifications

Model Name	ARP-3615AP-E01	ARP-3615AP-H01
LCD Display		
Display Size (Diagonal)	15.0 inch	15.0 inch
Resolution	1024 x 768	1024 x 768
Backlight Lifetime (Hours)	50,000	50,000
Visual Characteristics		
Colors	16.7 million	16.7 million
Aspect Ratio	4:3	4:3
Viewing Angle (V/H)	140° / 160°	140° / 160°
Contrast Ratio	700 : 1	700 : 1
Brightness	300 nits (Typical)	300 nits (Typical)
Touchscreen		
Technology	5 Wire Resistive	5 Wire Resistive
Interface	USB	USB
Driver	Windows 7, 8 & 10	Windows 10
Front Bezel		
NEMA 4	Black Powder Coated Aluminum	Black Powder Coated Aluminum
NEMA 4x	Stainless Steel (Optional)	Stainless Steel (Optional)
System		
CPU	Intel E3845 1.91GHz ATOM CPU	Intel i7-6600U, i5-6300U, Celeron-3855U
Chipset	Bay Trail	Skylake
Memory	Up to 8GB DDR3 SO-DIMM	Up to 16GB DDR4 SO-DIMM
Video Controller	Intel Gen7 Intel Graphics DX 11, OGL3.2	INTEL HD Graphics 520
External Video Output	VGA, HDMI	VGA, HDMI
Storage Option	2.5" SSD,	2.5" SSD,
Compact Flash	Optional	Optional
Keyboard / Mouse	USB / PS2	USB / PS2
Audio	N/A	N/A
Watchdog Timer	Programmable 1 - 255 sec	Programmable 1 - 255 sec
Remote Boot	ThinManager Ready, PXE	ThinManager Ready, PXE
Expansion Slot	Mini PCIe x 2	Mini PCIe x 1
I/O Communication		
USB Port	1 x USB 3.0, 3 x USB 2.0	1 x USB 3.0, 3 x USB 2.0
Serial Port	4 x RS-232/422/485 BIOS Selectable	4 x RS-232/422/485 BIOS Selectable
IEEE 1394	N/A	N/A
LAN	2 x Gigabit	2 x Gigabit
Parallel	N/A	N/A
GPIO	4 x DI, 4 x DO	4 x DI, 4 x DO
Smart Battery		
External Smart Battery	Optional	Optional
OS Support		
OS Support	Windows 7, 8 & 10	Windows 10
Power/Thermal Specs		
Power Requirement (Max)	24VDC / 1.31A	24VDC / 1.7A
Power Consumption (Max)	32 W	40W
Recommended Power Supply	45 W	60W
Heat Dissipation	108 BTU/hr	136 BTU/hr
Physical Information		
Mounting	Panel Mount	Panel Mount
Net Weight	13 Lbs / 5.90 Kg	13 Lbs / 5.90 Kg
Dimension (W x H x D)	14.51 x 11.80 x 4.37 inch 368.6 x 299.8 x 110.9 mm	14.51 x 11.80 x 4.37 inch 368.6 x 299.8 x 110.9 mm
Recommended Cutout Dimension (WxH)	13.71 x 11.11 inch 348.4 x 282.0 mm	13.71 x 11.11 inch 348.4 x 282.0 mm
Environmental		
Operating Temperature	0~50°C (32~122°F)	0~50°C (32~122°F)
Storage Temperature	-20~60°C (-4~140°F)	-20~60°C (-4~140°F)
Relative Humidity	0~95%	0~95%
IP/NEMA Rating	Bezel meets NEMA 4/4X requirement	Bezel meets NEMA 4/4X requirement
Certification	UL 61010	UL 61010

Dimension Drawing

Model Name: ARP-3615AP
 Size Unit: inch(mm)



Ordering Information

Item	ARP-3615AP-E01-003	ARP-3615AP-E01-007
LCD Display	15.0" LCD / 1024 x 768	15.0" LCD / 1024 x 768
Touch Screen	5-Wire	5-Wire
Bezel	Black Powder Coated Aluminum	Stainless Steel
CPU	E3845 ATOM CPU	E3845 ATOM CPU
Memory	4GB DDR3	4GB DDR3
Storage	N/A	N/A
Remote Boot	ThinManager Ready	ThinManager Ready
Power Supply	110/220VAC Input DIN-Rail	110/220VAC Input DIN-Rail

Item	ARP-3615AP-E01-031	ARP-3615AP-E01-035
LCD Display	15.0" LCD / 1024 x 768	15.0" LCD / 1024 x 768
Touch Screen	5-Wire	5-Wire
Bezel	Black Powder Coated Aluminum	Stainless Steel
CPU	E3845 ATOM CPU	E3845 ATOM CPU
Memory	8GB DDR3	8GB DDR3
Storage	2.5" SATA SSD	2.5" SATA SSD
Remote Boot	N/A	N/A
Power Supply	110/220VAC Input DIN-Rail	110/220VAC Input DIN-Rail

Item	ARP-3615AP-H01-031-700	ARP-3615AP-H01-035-700
LCD Display	15.0" LCD / 1024 x 768	15.0" LCD / 1024 x 768
Touch Screen	5-Wire	5-Wire
Bezel	Black Powder Coated Aluminum	Stainless Steel
CPU	i7-6600U	i7-6600U
Memory	16GB DDR4	16GB DDR4
Storage	2.5" SATA SSD	2.5" SATA SSD
Remote Boot	N/A	N/A
Power Supply	110/220VAC Input DIN-Rail	110/220VAC Input DIN-Rail



ARP-3617AP Series

Panel Mount Panel PC with 17" 5-Wire Resistive Touch



Features

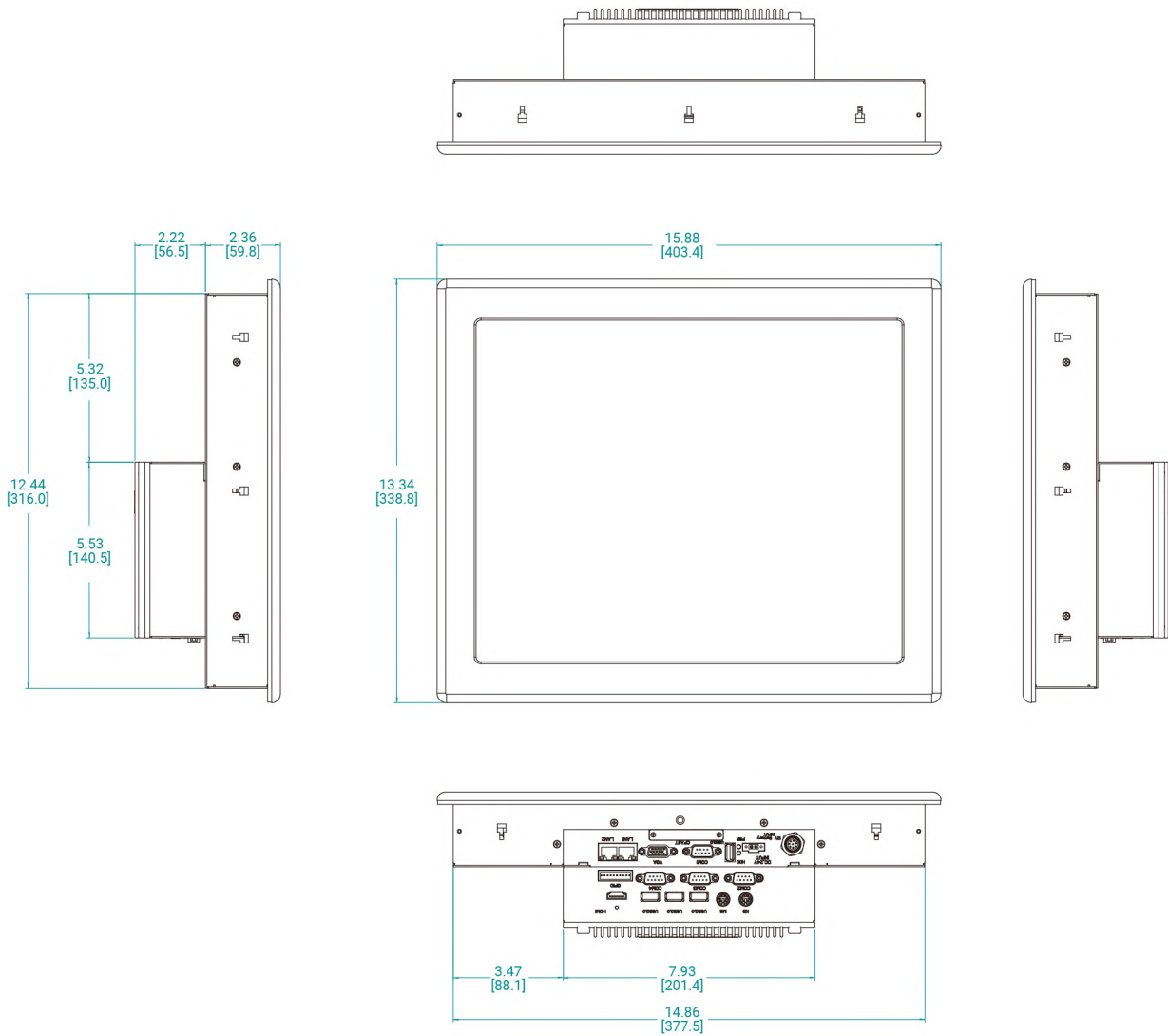
- 17" LCD, 1280 x 1024 Resolution
- 5-Wire Resistive Touch
- Aluminum or Stainless-Steel Bezel
- Intel E3845 ATOM CPU/ Intel i7-6600U CPU
- Up to 8GB DDR3/ Up to 16GB DDR4 SO-DIMM
- Optional 2.5" SSD
- Dual Gigabit Ethernet
- 4 x RS-232/422/485 BIOS Selectable
- 1 x 8-bit GPIO (4-bit Input, 4-bit Output)
- 1 x USB 3.0, 3 x USB 2.0 ports

Specifications

Model Name	ARP-3617AP-E01	ARP-3617AP-H01
LCD Display		
Display Size (Diagonal)	17.0 inch	17.0 inch
Max Resolution	1280 x 1024	1280 x 1024
Backlight Lifetime (Hours)	50,000 hours	50,000 hours
Visual Characteristics		
Colors	16.7 million	16.7 million
Aspect Ratio	5:4	5:4
Viewing Angle (V/H)	160° / 170°	160° / 170°
Contrast Ratio	800 : 1	800 : 1
Brightness	350 nits (Typical)	350 nits (Typical)
Touchscreen		
Technology	5 Wire Resistive	5 Wire Resistive
Interface	USB	USB
Driver	Windows 7, 8 & 10	Windows 10
Front Bezel		
NEMA 4	Black Powder Coated Aluminum	Black Powder Coated Aluminum
NEMA 4x	Stainless Steel (Optional)	Stainless Steel (Optional)
System		
CPU	Intel E3845 1.91GHz ATOM CPU	Intel i7-6600U, i5-6300U, Celeron-3855U
Chipset	Bay Trail	Skylake
Memory	Up to 8GB DDR3 SO-DIMM	Up to 16GB DDR4 SO-DIMM
Video Controller	Intel Gen7 Intel Graphics DX 11, OGL3.2	Intel HD Graphics 520
External Video Output	VGA, HDMI	VGA, HDMI
Storage Option	2.5" SSD	2.5" SSD
Compact Flash	Optional	Optional
Keyboard / Mouse	USB / PS2	USB / PS2
Audio	N/A	N/A
Watchdog Timer	Programmable 1 - 255 sec	Yes
Remote Boot	ThinManager Ready, PXE	ThinManager Ready, PXE
Expansion Slot	Mini PCIe x 2	Mini PCIe x 1
I/O Communication		
USB Port	1 x USB 3.0, 3 x USB 2.0	1 x USB 3.0, 3 x USB 2.0
Serial Port	4 x RS-232/422/485 BIOS Selectable	4 x RS-232/422/485 BIOS Selectable
IEEE 1394	N/A	N/A
LAN	2 x Gigabit	2 x Gigabit
Parallel	N/A	N/A
GPIO	4 x DI, 4 x DO	4 x DI, 4 x DO
Smart Battery		
External Smart Battery	Optional	Optional
OS Support		
OS Support	Windows 7, 8 & 10	Windows 10
Power/Thermal Specs		
Power Requirement (Max)	24VDC / 1.8A	24VDC / 2.2A
Power Consumption (Max)	43 W	51W
Recommended Power Supply	62 W	75W
Heat Dissipation	147 BTU/hr	174 BTU/hr
Physical Information		
Mounting	Panel Mount	Panel Mount
Net Weight	15 Lbs / 6.80 Kg	15 Lbs / 6.80 Kg
Dimension (W x H x D)	15.88 x 13.34 x 4.58 inch 403.4 x 338.8 x 116.3 mm	16.58 x 13.90 x 4.46 inch 428.0 x 353.0 x 113.2 mm
Recommended Cutout Dimension (WxH)	15.06 x 12.64 inch 382.5 x 321.0 mm	16.20 x 13.25 inch 411.4 x 336.4 mm
Environmental		
Operating Temperature	0~50°C (32~122°F)	0~50°C (32~122°F)
Storage Temperature	-20~60°C (-4~140°F)	-20~60°C (-4~140°F)
Relative Humidity	0~95%	0~95%
IP/NEMA Rating	Bezel meets NEMA 4/4X requirement	Bezel meets NEMA 4/4X requirement
Certification	UL 61010	UL 61010

Dimension Drawing

Model Name: ARP-3617AP
 Size Unit: inch(mm)



Ordering Information

Item	ARP-3617AP-E01-003	ARP-3617AP-E01-007
LCD Display	17.0" LCD / 1280 x 1024	17.0" LCD / 1280 x 1024
Touch Screen	5-Wire	5-Wire
Bezel	Black Powder Coated Aluminum	Stainless Steel
CPU	E3845 ATOM CPU	E3845 ATOM CPU
Memory	4GB DDR3	4GB DDR3
Storage	N/A	N/A
Remote Boot	ThinManager Ready	ThinManager Ready
Power Supply	110/220VAC Input DIN-Rail	110/220VAC Input DIN-Rail

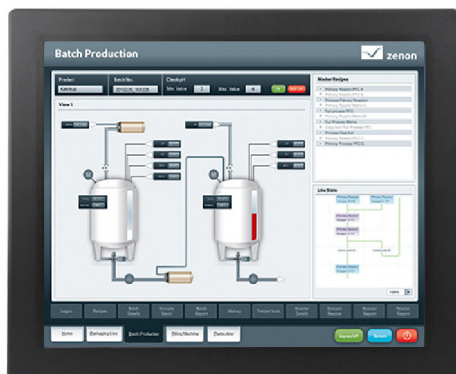
Item	ARP-3617AP-E01-031	ARP-3617AP-E01-035
LCD Display	17.0" LCD / 1280 x 1024	17.0" LCD / 1280 x 1024
Touch Screen	5-Wire	5-Wire
Bezel	Black Powder Coated Aluminum	Stainless Steel
CPU	E3845 ATOM CPU	E3845 ATOM CPU
Memory	8GB DDR3	8GB DDR3
Storage	2.5" SATA SSD	2.5" SATA SSD
Remote Boot	N/A	N/A
Power Supply	110/220VAC Input DIN-Rail	110/220VAC Input DIN-Rail

Item	ARP-3617AP-H01-031-700	ARP-3617AP-H01-035-700
LCD Display	17.0" LCD / 1280 x 1024	17.0" LCD / 1280 x 1024
Touch Screen	5-Wire	5-Wire
Bezel	Black Powder Coated Aluminum	Stainless Steel
CPU	i7-6600U	i7-6600U
Memory	16GB DDR4	16GB DDR4
Storage	2.5" SATA SSD	2.5" SATA SSD
Remote Boot	N/A	N/A
Power Supply	110/220VAC Input DIN-Rail	110/220VAC Input DIN-Rail



ARP-3619AP Series

Panel Mount Panel PC with 19" 5-Wire Resistive Touch



Features

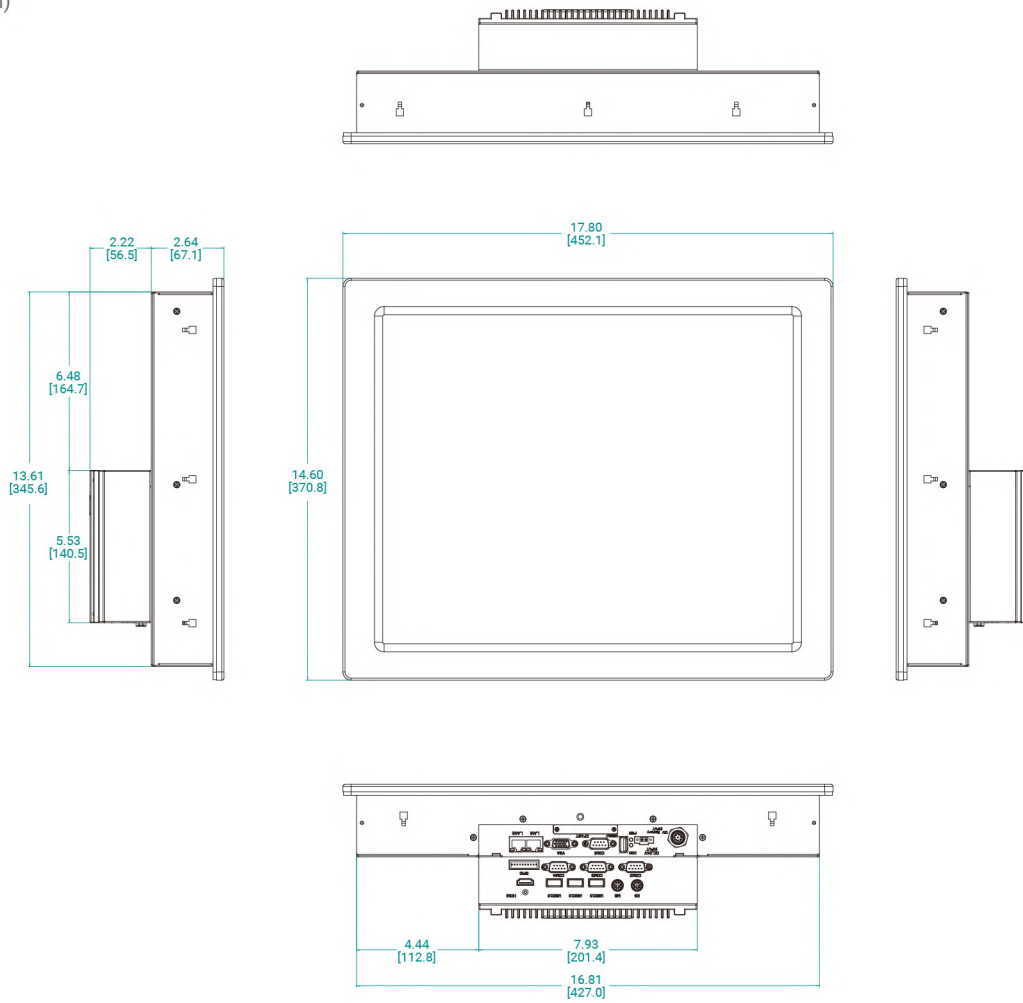
- 19" LCD, 1280 x 1024 Resolution
- 5-Wire Resistive Touch
- Aluminum or Stainless-Steel Bezel
- Intel E3845 ATOM CPU/ Intel i7-6600U CPU
- Up to 8GB DDR3/ Up to 16GB DDR4 SO-DIMM
- Optional 2.5" SSD
- Dual Gigabit Ethernet
- 4 x RS-232/422/485 BIOS Selectable
- 1 x 8-bit GPIO (4-bit Input, 4-bit Output)
- 1 x USB 3.0, 3 x USB 2.0 ports

Specifications

Model Name	ARP-3619AP-E01	ARP-3619AP-H01
LCD Display		
Display Size (Diagonal)	19.0 inch	19.0 inch
Max Resolution	1280 x 1024	1280 x 1024
Backlight Lifetime (Hours)	50,000 hours	50,000 hours
Visual Characteristics		
Colors	16.7 million	16.7 million
Aspect Ratio	5:4	5:4
Viewing Angle (V/H)	160° / 170°	160° / 170°
Contrast Ratio	1000 : 1	1000 : 1
Brightness	450 nits (Typical)	450 nits (Typical)
Touchscreen		
Technology	5 Wire Resistive	5 Wire Resistive
Interface	USB	USB
Driver	Windows 7, 8 & 10	Windows 10
Front Bezel		
NEMA 4	Black Powder Coated Aluminum	Black Powder Coated Aluminum
NEMA 4x	Stainless Steel (Optional)	Stainless Steel (Optional)
System		
CPU	Intel E3845 1.91GHz ATOM CPU	Intel i7-6600U, i5-6300U, Celeron-3855U
Chipset	Bay Trail	Skylake
Memory	Up to 8GB DDR3 SO-DIMM	Up to 16GB DDR4 SO-DIMM
Video Controller	Intel Gen7 Intel Graphics DX 11, OGL3.2	Intel HD Graphics 520
External Video Output	VGA, HDMI	VGA, HDMI
Storage Option	2.5" SSD	2.5" SSD
CFast Card	Optional	Optional
Keyboard / Mouse	USB / PS2	USB / PS2
Audio	N/A	N/A
Watchdog Timer	Programmable 1 - 255 sec	Yes
Remote Boot	ThinManager Ready, PXE	ThinManager Ready, PXE
Expansion Slot	Mini PCIe x 2	Mini PCIe x 1
I/O Communication		
USB Port	1 x USB 3.0, 3 x USB 2.0	1 x USB 3.0, 3 x USB 2.0
Serial Port	4 x RS-232/422/485 BIOS Selectable	4 x RS-232/422/485 BIOS Selectable
IEEE 1394	N/A	N/A
LAN	2 x Gigabit	2 x Gigabit
Parallel	N/A	N/A
GPIO	4 x DI, 4 x DO	4 x DI, 4 x DO
Smart Battery		
External Smart Battery	Optional	Optional
OS Support		
OS Support	Windows 7, 8 & 10	Windows 10
Power/Thermal Specs		
Power Requirement (Max)	24VDC / 1.8A	24VDC / 2.2A
Power Consumption (Max)	43 W	51W
Recommended Power Supply	65 W	75W
Heat Dissipation	147 BTU/hr	174 BTU/hr
Physical Information		
Mounting	Panel Mount	Panel Mount
Net Weight	18 Lbs / 8.16 Kg	18 Lbs / 8.16 Kg
Dimension (W x H x D)	17.80 x 14.60 x 4.86 inch 452.1 x 370.8 x 123.6 mm	17.80 x 14.60 x 4.86 inch 452.1 x 370.8 x 123.6 mm
Recommended Cutout Dimension (WxH)	17.01 x 13.81 inch 432.0 x 350.6 mm	17.01 x 13.81 inch 432.0 x 350.6 mm
Environmental		
Operating Temperature	0~50°C (32~122°F)	0~50°C (32~122°F)
Storage Temperature	-20~60°C (-4~140°F)	-20~60°C (-4~140°F)
Relative Humidity	0~95%	0~95%
IP/NEMA Rating	Bezel meets NEMA 4/4X requirement	Bezel meets NEMA 4/4X requirement
Certification	UL 61010	UL 61010

Dimension Drawing

Model Name: ARP-3619AP
 Size Unit: inch(mm)



Ordering Information

Item	ARP-3619AP-E01-003	ARP-3619AP-E01-007
LCD Display	19.0" LCD / 1280 x 1024	19.0" LCD / 1280 x 1024
Touch Screen	5-Wire	5-Wire
Bezel	Black Powder Coated Aluminum	Stainless Steel
CPU	E3845 ATOM CPU	E3845 ATOM CPU
Memory	4GB DDR3	4GB DDR3
Storage	N/A	N/A
Remote Boot	ThinManager Ready	ThinManager Ready
Power Supply	110/220VAC Input DIN-Rail	110/220VAC Input DIN-Rail

Item	ARP-3619AP-E01-031	ARP-3619AP-E01-035
LCD Display	19.0" LCD / 1280 x 1024	19.0" LCD / 1280 x 1024
Touch Screen	5-Wire	5-Wire
Bezel	Black Powder Coated Aluminum	Stainless Steel
CPU	E3845 ATOM CPU	E3845 ATOM CPU
Memory	8GB DDR3	8GB DDR3
Storage	2.5" SATA SSD	2.5" SATA SSD
Remote Boot	N/A	N/A
Power Supply	110/220VAC Input DIN-Rail	110/220VAC Input DIN-Rail

Item	ARP-3619AP-H01-031-700	ARP-3619AP-H01-035-700
LCD Display	19.0" LCD / 1280 x 1024	19.0" LCD / 1280 x 1024
Touch Screen	5-Wire	5-Wire
Bezel	Black Powder Coated Aluminum	Stainless Steel
CPU	i7-6600U	i7-6600U
Memory	16GB DDR4	16GB DDR4
Storage	2.5" SATA SSD	2.5" SATA SSD
Remote Boot	N/A	N/A
Power Supply	110/220VAC Input DIN-Rail	110/220VAC Input DIN-Rail



ARP-3621AP Series

Panel Mount Panel PC with 21.5" 5-Wire Resistive Touch



Features

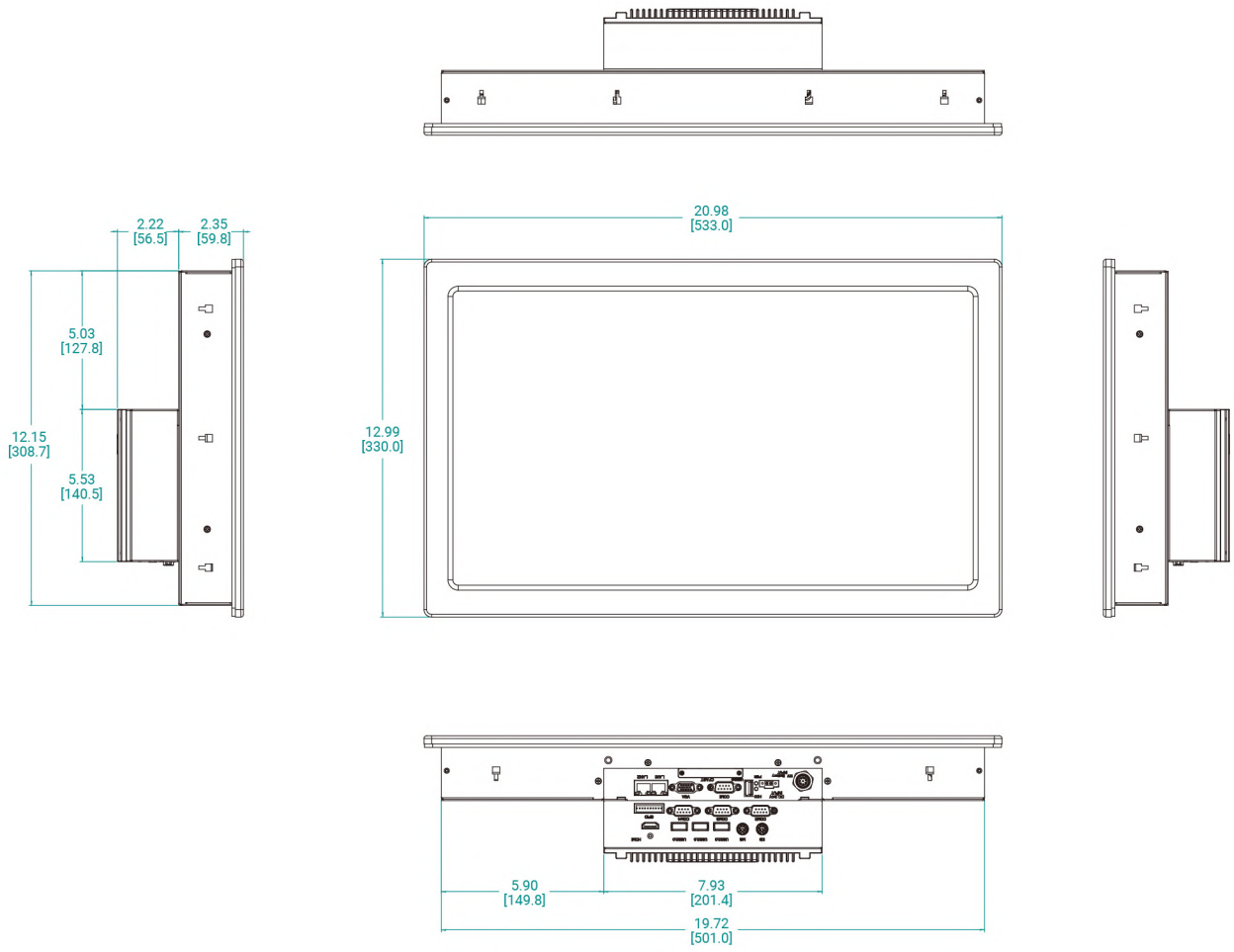
- 21.5" LCD, 1920 x 1080 Resolution
- 5-Wire Resistive Touch
- Aluminum or Stainless-Steel Bezel
- Intel E3845 ATOM CPU/ Intel i7-6600U CPU
- Up to 8GB DDR3/ Up to 16GB DDR4 SO-DIMM
- Optional 2.5" SSD
- Dual Gigabit Ethernet
- 4 x RS-232/422/485 BIOS Selectable
- 1 x 8-bit GPIO (4-bit Input, 4-bit Output)
- 1 x USB 3.0, 3 x USB 2.0 ports

Specifications

Model Name	ARP-3621AP-E01	ARP-3621AP-H01
LCD Display		
Display Size (Diagonal)	21.5 inch	21.5 inch
Max Resolution	1920 x 1080	1920 x 1080
Backlight Lifetime (Hours)	50,000 hours	50,000 hours
Visual Characteristics		
Colors	16.7 million	16.7 million
Aspect Ratio	16:9	16:9
Viewing Angle (V/H)	178° / 178°	178° / 178°
Contrast Ratio	1000 : 1	1000 : 1
Brightness	250 nits (Typical)	250 nits (Typical)
Touchscreen		
Technology	5 Wire Resistive	5 Wire Resistive
Interface	USB	USB
Driver	Windows 7, 8 & 10	Windows 10
Front Bezel		
NEMA 4	Black Powder Coated Aluminum	Black Powder Coated Aluminum
NEMA 4x	Stainless Steel (Optional)	Stainless Steel (Optional)
System		
CPU	Intel E3845 1.91GHz ATOM CPU	Intel i7-6600U, i5-6300U, Celeron-3855U
Chipset	Bay Trail	Skylake
Memory	Up to 8GB DDR3 SO-DIMM	Up to 16GB DDR4 SO-DIMM
Video Controller	Intel Gen7 Intel Graphics DX 11, OGL3.2	Intel HD Graphics 520
External Video Output	VGA, HDMI	VGA, HDMI
Storage Option	2.5" SSD,	2.5" SSD,
CFast Card	Optional	Optional
Keyboard / Mouse	USB / PS2	USB / PS2
Audio	N/A	N/A
Watchdog Timer	Programmable 1 - 255 sec	Yes
Remote Boot	ThinManager Ready, PXE	ThinManager Ready, PXE
Expansion Slot	Mini PCIe x 2	Mini PCIe x 1
I/O Communication		
USB Port	1 x USB 3.0, 3 x USB 2.0	1 x USB 3.0, 3 x USB 2.0
Serial Port	4 x RS-232/422/485 BIOS Selectable	4 x RS-232/422/485 BIOS Selectable
IEEE 1394	N/A	N/A
LAN	2 x Gigabit	2 x Gigabit
Parallel	N/A	N/A
GPIO	4 x DI, 4 x DO	4 x DI, 4 x DO
Smart Battery		
External Smart Battery	Optional	Optional
OS Support		
OS Support	Windows 7, 8 & 10	Windows 10
Power/Thermal Specs		
Power Requirement (Max)	24VDC / 1.8A	24VDC / 2.2A
Power Consumption (Max)	43 W	51W
Recommended Power Supply	62 W	75W
Heat Dissipation	147 BTU/hr	174 BTU/hr
Physical Information		
Mounting	Panel Mount	Panel Mount
Net Weight	20 Lbs / 9.07 Kg	20 Lbs / 9.07 Kg
Dimension (W x H x D)	20.91 x 12.94 x 4.46 inch 531.0 x 328.8 x 113.3 mm	20.91 x 12.94 x 4.46 inch 531.0 x 328.8 x 113.3 mm
Recommended Cutout Dimension (WxH)	20.09 x 12.13 inch 510.2 x 308.0 mm	20.09 x 12.13 inch 510.2 x 308.0 mm
Environmental		
Operating Temperature	0~50°C (32~122°F)	0~50°C (32~122°F)
Storage Temperature	-20~60°C (-4~140°F)	-20~60°C (-4~140°F)
Relative Humidity	0~95%	0~95%
IP/NEMA Rating	Bezel meets NEMA 4/4X requirement	Bezel meets NEMA 4/4X requirement
Certification	UL 61010	UL 61010

Dimension Drawing

Model Name: ARP-3621AP
 Size Unit: inch(mm)



Ordering Information

Item	ARP-3621AP-E01-003	ARP-3621AP-E01-007
LCD Display	21.5" LCD / 1920 x 1080	21.5" LCD / 1920 x 1080
Touch Screen	5-Wire	5-Wire
Bezel	Black Powder Coated Aluminum	Stainless Steel
CPU	E3845 ATOM CPU	E3845 ATOM CPU
Memory	4GB DDR3	4GB DDR3
Storage	N/A	N/A
Remote Boot	ThinManager Ready	ThinManager Ready
Power Supply	110/220VAC Input DIN-Rail	110/220VAC Input DIN-Rail

Item	ARP-3621AP-E01-031	ARP-3621AP-E01-035
LCD Display	21.5" LCD / 1920 x 1080	21.5" LCD / 1920 x 1080
Touch Screen	5-Wire	5-Wire
Bezel	Black Powder Coated Aluminum	Stainless Steel
CPU	E3845 ATOM CPU	E3845 ATOM CPU
Memory	8GB DDR3	8GB DDR3
Storage	2.5" SATA SSD	2.5" SATA SSD
Remote Boot	N/A	N/A
Power Supply	110/220VAC Input DIN-Rail	110/220VAC Input DIN-Rail

Item	ARP-3621AP-H01-031-700	ARP-3621AP-H01-035-700
LCD Display	21.5" LCD / 1920 x 1080	21.5" LCD / 1920 x 1080
Touch Screen	5-Wire	5-Wire
Bezel	Black Powder Coated Aluminum	Stainless Steel
CPU	i7-6600U	i7-6600U
Memory	16GB DDR4	16GB DDR4
Storage	2.5" SATA SSD	2.5" SATA SSD
Remote Boot	N/A	N/A
Power Supply	110/220VAC Input DIN-Rail	110/220VAC Input DIN-Rail



ARP-3624AP Series

Panel Mount Panel PC with 24" 5-Wire Resistive Touch



Features

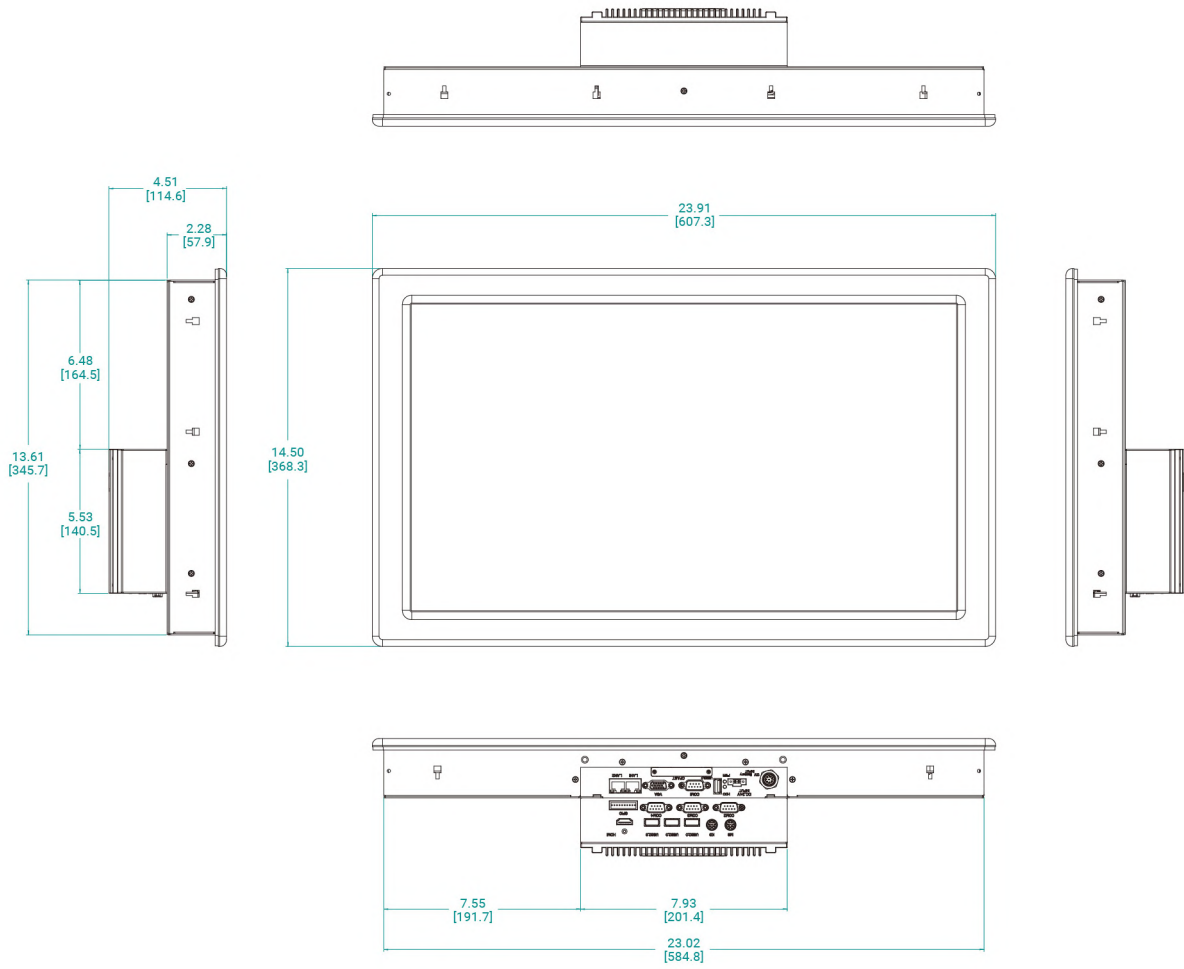
- 24" LCD, 1920 x 1080 Resolution
- 5-Wire Resistive Touch
- Aluminum or Stainless-Steel Bezel
- Intel E3845 ATOM CPU/ Intel i7-6600U CPU
- Up to 8GB DDR3/ Up to 16GB DDR4 SO-DIMM
- Optional 2.5" SSD
- Dual Gigabit Ethernet
- 4 x RS-232/422/485 BIOS Selectable
- 1 x 8-bit GPIO (4-bit Input, 4-bit Output)
- 1 x USB 3.0, 3 x USB 2.0 ports

Specifications

Model Name	ARP-3624AP-E01	ARP-3624AP-H01
LCD Display		
Display Size (Diagonal)	24.0 inch	24.0 inch
Max Resolution	1920 x 1080	1920 x 1080
Backlight Lifetime (Hours)	50,000 hours	50,000 hours
Visual Characteristics		
Colors	16.7 million	16.7 million
Aspect Ratio	16:9	16:9
Viewing Angle (V/H)	178° / 178°	178° / 178°
Contrast Ratio	5000 : 1	5000 : 1
Brightness	250 nits (Typical)	250 nits (Typical)
Touchscreen		
Technology	Projected Capacitive	Projected Capacitive
Interface	USB	USB
Driver	Windows 7, 8 & 10	Windows 10
Front Bezel		
NEMA 4	Black Powder Coated Aluminum	Black Powder Coated Aluminum
NEMA 4x	Stainless Steel (Optional)	Stainless Steel (Optional)
System		
CPU	Intel E3845 1.91GHz ATOM CPU	Intel i7-6600U, i5-6300U, Celeron-3855U
Chipset	Bay Trail	Skylake
Memory	Up to 8GB DDR3 SO-DIMM	Up to 16GB DDR4 SO-DIMM
Video Controller	Intel Gen7 Intel Graphics DX 11, OGL3.2	Intel HD Graphics 520
External Video Output	VGA, HDMI	VGA, HDMI
Storage Option	2.5" SSD	2.5" SSD
CFast Card	Optional	Optional
Keyboard / Mouse	USB / PS2	USB / PS2
Audio	N/A	N/A
Watchdog Timer	Programmable 1 - 255 sec	Yes
Remote Boot	ThinManager Ready, PXE	ThinManager Ready, PXE
Expansion Slot	Mini PCIe x 2	Mini PCIe x 1
I/O Communication		
USB Port	1 x USB 3.0, 3 x USB 2.0	1 x USB 3.0, 3 x USB 2.0
Serial Port	4 x RS-232/422/485 BIOS Selectable	4 x RS-232/422/485 BIOS Selectable
IEEE 1394	N/A	N/A
LAN	2 x Gigabit	2 x Gigabit
Parallel	N/A	N/A
GPIO	4 x DI, 4 x DO	4 x DI, 4 x DO
Smart Battery		
External Smart Battery	Optional	Optional
OS Support		
OS Support	Windows 7, 8 & 10	Windows 10
Power/Thermal Specs		
Power Requirement (Max)	24VDC / 2.5A	24VDC / 2.8A
Power Consumption (Max)	60 W	68W
Recommended Power Supply	85 W	100W
Heat Dissipation	203 BTU/hr	232 BTU/hr
Physical Information		
Mounting	Panel Mount	Panel Mount
Net Weight	23 Lbs / 10.43 Kg	23 Lbs / 10.43 Kg
Dimension (W x H x D)	23.91 x 14.50 x 4.51 inch 607.3 x 368.3 x 114.6 mm	23.91 x 14.50 x 4.51 inch 607.3 x 368.3 x 114.6 mm
Recommended Cutout Dimension (WxH)	23.22 x 13.81 inch 589.8 x 350.7 mm	23.22 x 13.81 inch 589.8 x 350.7 mm
Environmental		
Operating Temperature	0~50°C (32~122°F)	0~50°C (32~122°F)
Storage Temperature	-20~60°C (-4~140°F)	-20~60°C (-4~140°F)
Relative Humidity	0~95%	0~95%
IP/NEMA Rating	Bezel meets NEMA 4/4X requirement	Bezel meets NEMA 4/4X requirement
Certification	UL 61010	UL 61010

Dimension Drawing

Model Name: ARP-3624AP
 Size Unit: inch(mm)



Ordering Information

Item	ARP-3624AP-E01-003	ARP-3624AP-E01-007
LCD Display	24.0" LCD / 1920 x 1080	24.0" LCD / 1920 x 1080
Touch Screen	5-Wire	5-Wire
Bezel	Black Powder Coated Aluminum	Stainless Steel
CPU	E3845 ATOM CPU	E3845 ATOM CPU
Memory	4GB DDR3	4GB DDR3
Storage	N/A	N/A
Remote Boot	ThinManager Ready	ThinManager Ready
Power Supply	110/220VAC Input DIN-Rail	110/220VAC Input DIN-Rail

Item	ARP-3624AP-E01-031	ARP-3624AP-E01-035
LCD Display	24.0" LCD / 1920 x 1080	24.0" LCD / 1920 x 1080
Touch Screen	5-Wire	5-Wire
Bezel	Black Powder Coated Aluminum	Stainless Steel
CPU	E3845 ATOM CPU	E3845 ATOM CPU
Memory	8GB DDR3	8GB DDR3
Storage	2.5" SATA SSD	2.5" SATA SSD
Remote Boot	N/A	N/A
Power Supply	110/220VAC Input DIN-Rail	110/220VAC Input DIN-Rail

Item	ARP-3624AP-H01-031-700	ARP-3624AP-H01-035-700
LCD Display	24.0" LCD / 1920 x 1080	24.0" LCD / 1920 x 1080
Touch Screen	5-Wire	5-Wire
Bezel	Black Powder Coated Aluminum	Stainless Steel
CPU	i7-6600U	i7-6600U
Memory	16GB DDR4	16GB DDR4
Storage	2.5" SATA SSD	2.5" SATA SSD
Remote Boot	N/A	N/A
Power Supply	110/220VAC Input DIN-Rail	110/220VAC Input DIN-Rail



ARISTA Corporation (USA)

 40675 Encyclopedia Circle, Fremont, CA 94538.

 Phone : +1-510-226-1800  eFax : 510-405-8437

 sales@goarista.com  www.aristaipc.com